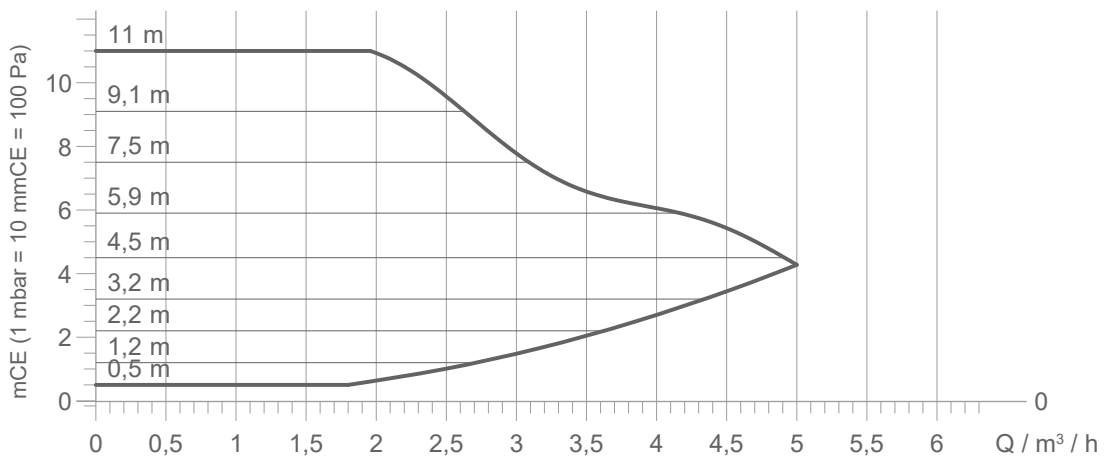
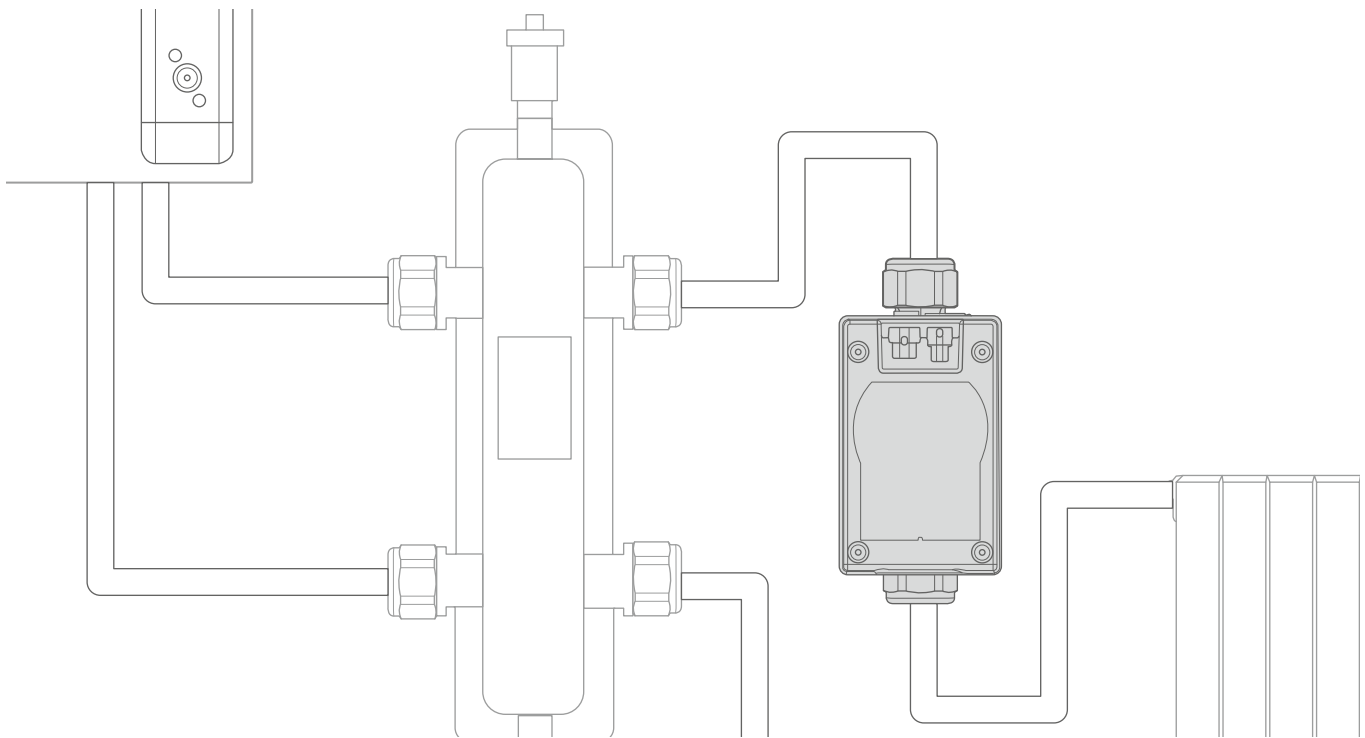
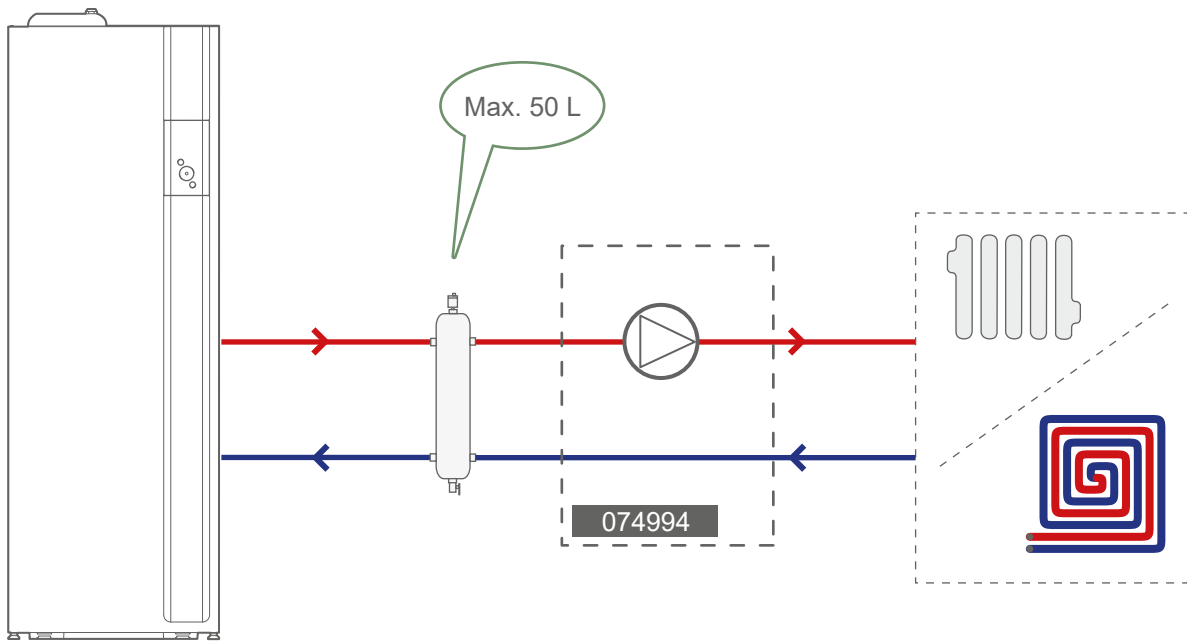
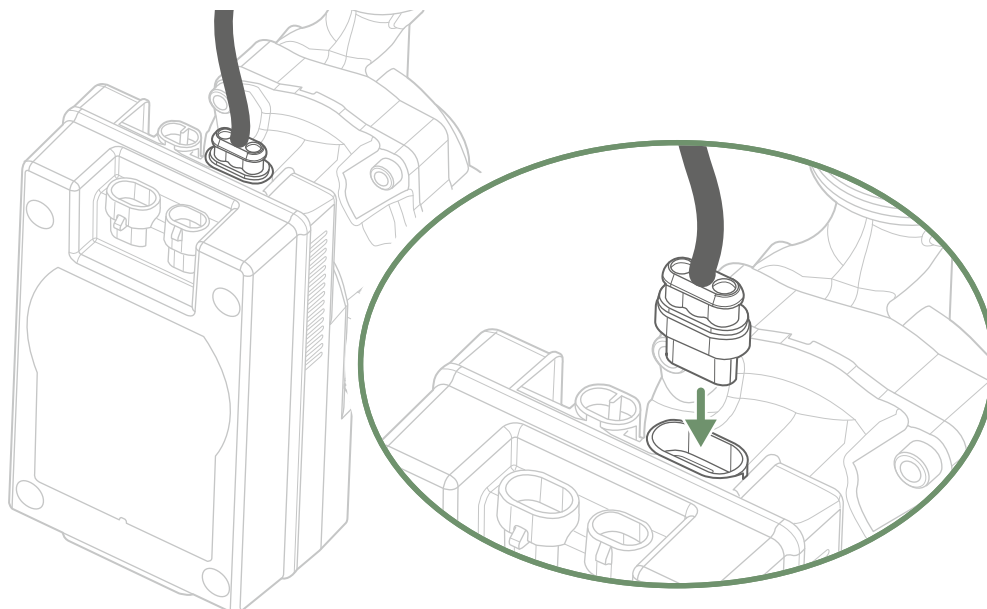
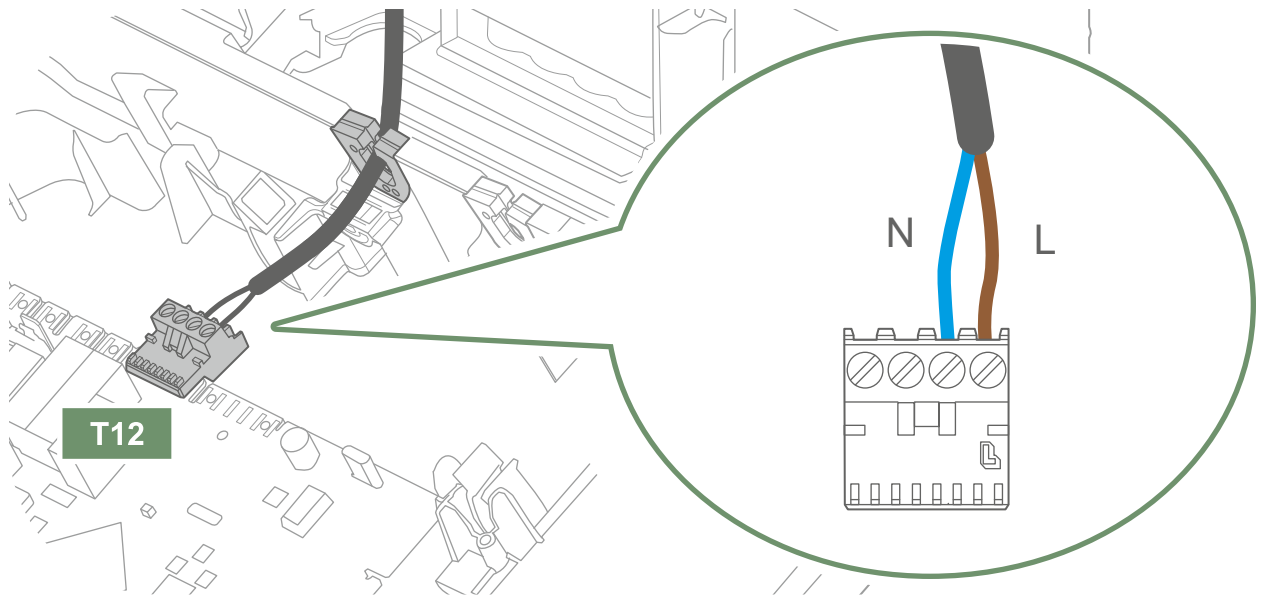
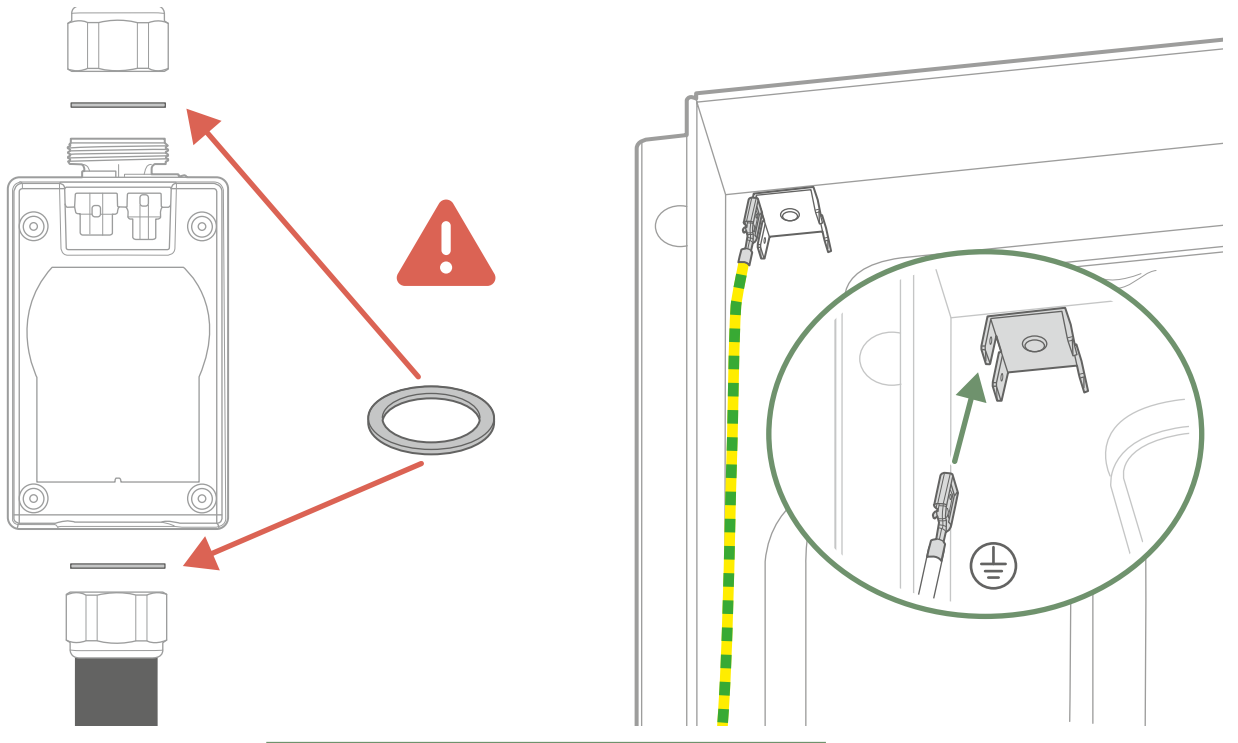


ML

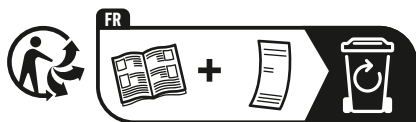
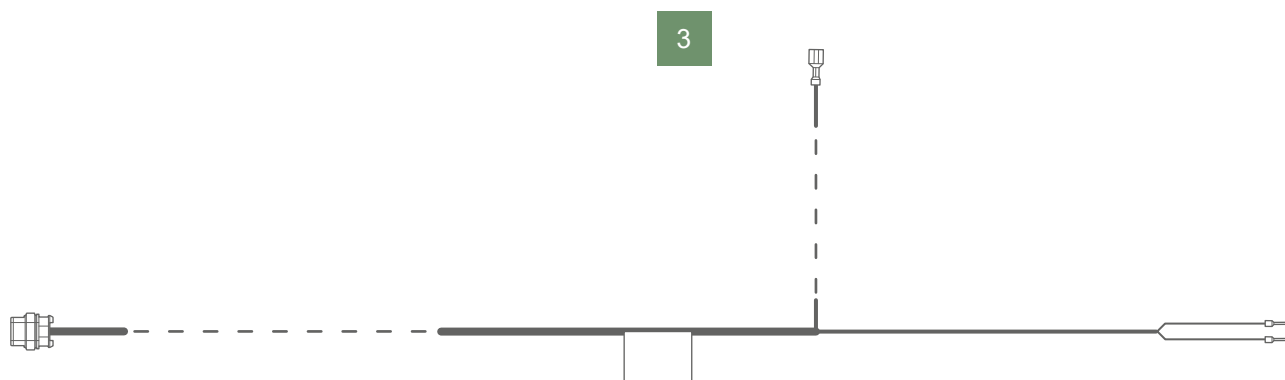
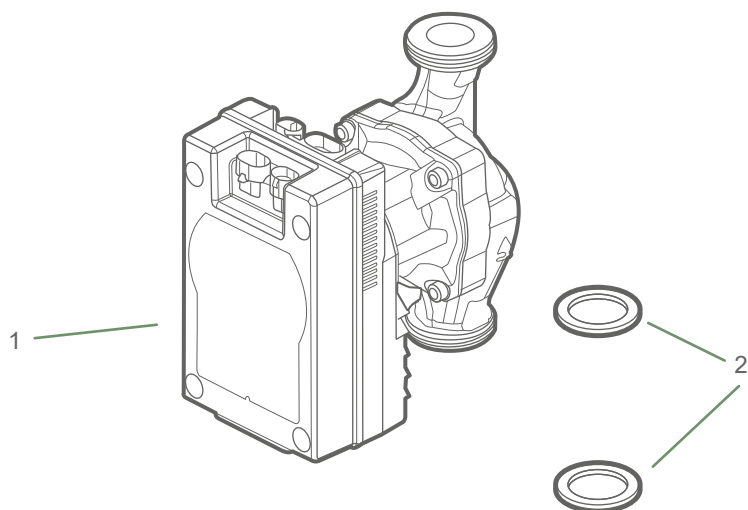
INSTALLATION // INSTALLATIE // INSTALACIÓN // INSTALAÇÃO  
INSTALLAZIONE // MONTAŽ // INŠTALACIJA

# Kit Gros Débit / High flow kit (074994 - UTW-PHFXS)





Nr	Code	Qty
1	909908	01
2	142734	02
3	133357	01



Points de collecte sur [www.quefairedemesdechets.fr](http://www.quefairedemesdechets.fr)

SCGA - SAS au capital de 130 000 000 €. RCS La Roche-Sur-Yon n°538 485 384  
Equipment subject to change without notice - Document is non contractual

Commissioning date:

Address of your heating installer or customer service.

**AMBB - SATC**  
Rue des fondeurs 59660 MERVILLE  
FRANCE