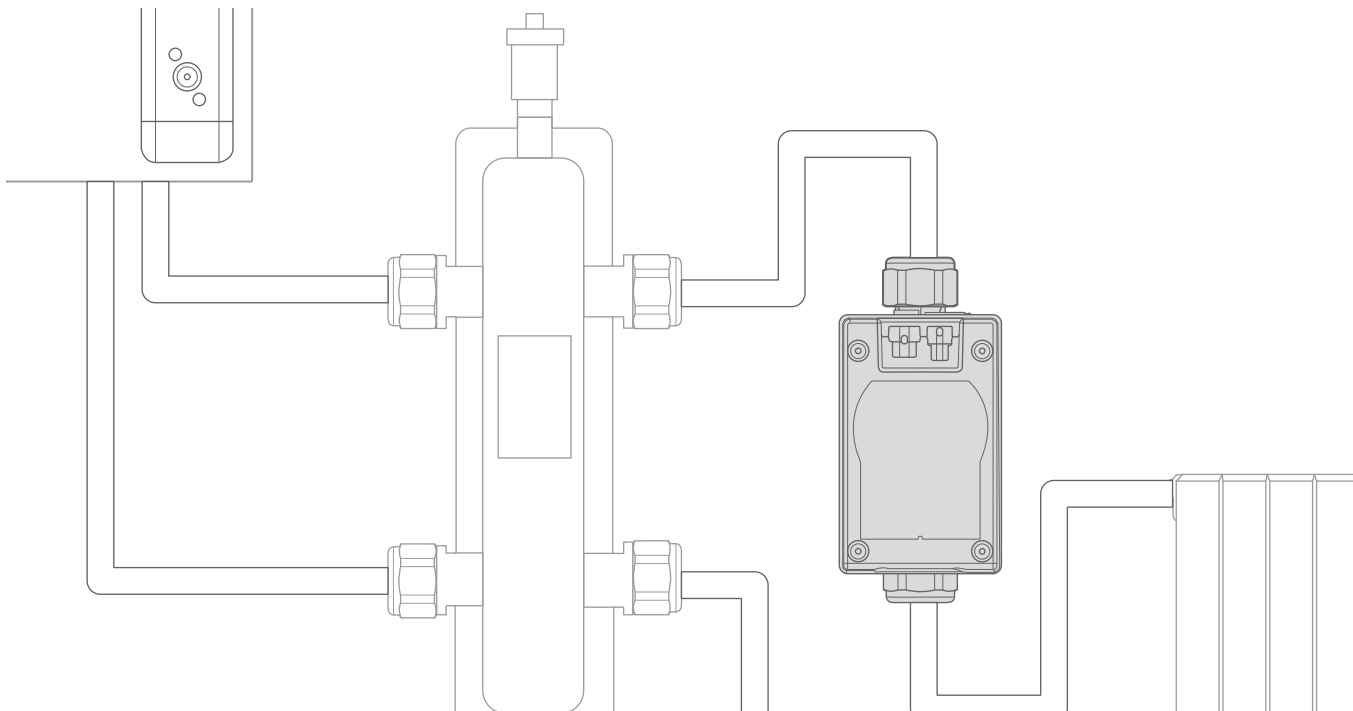
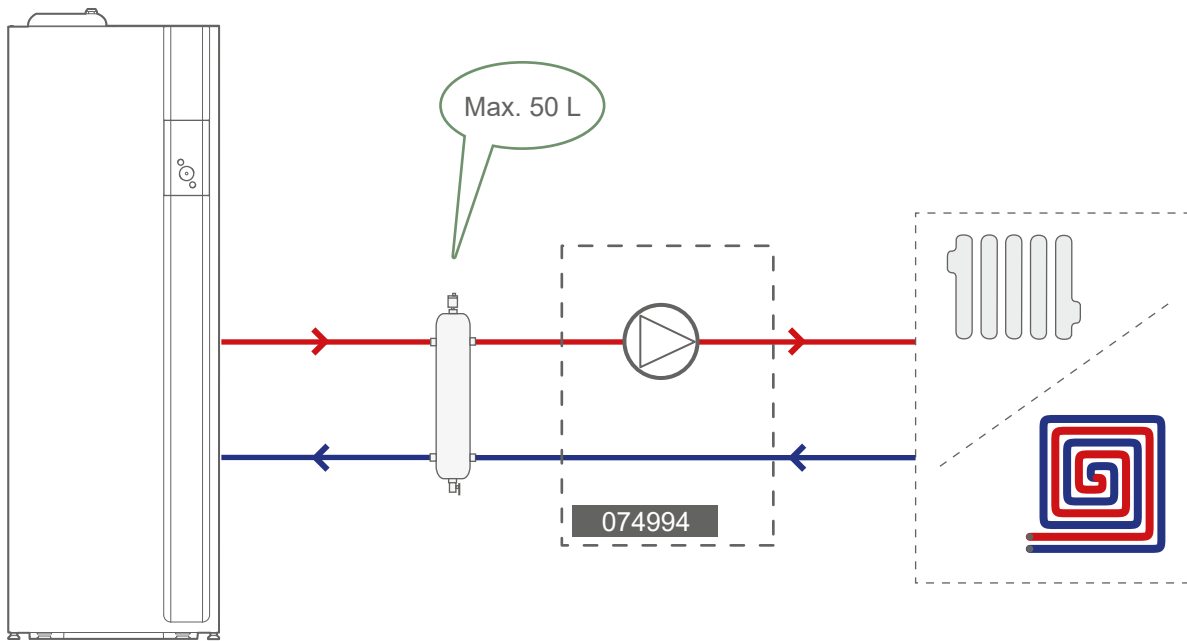
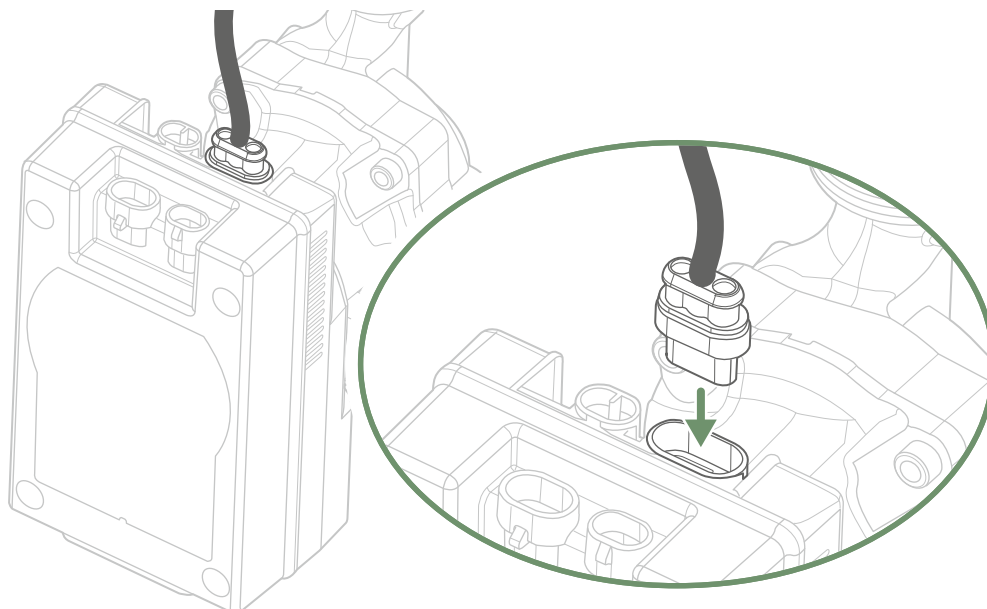
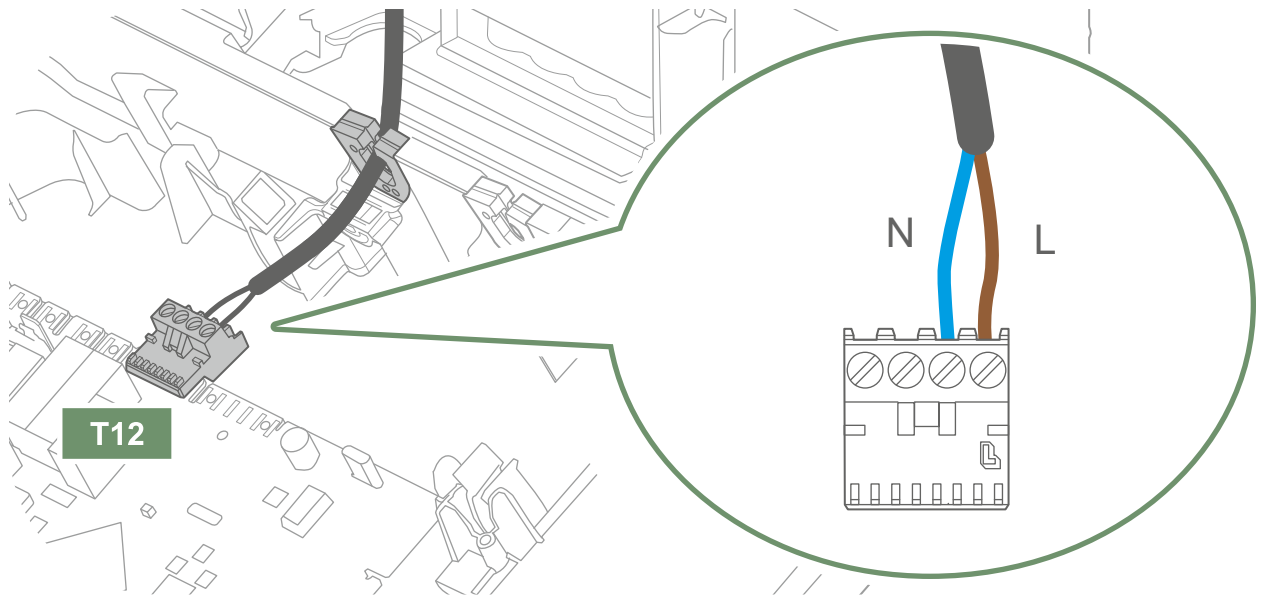
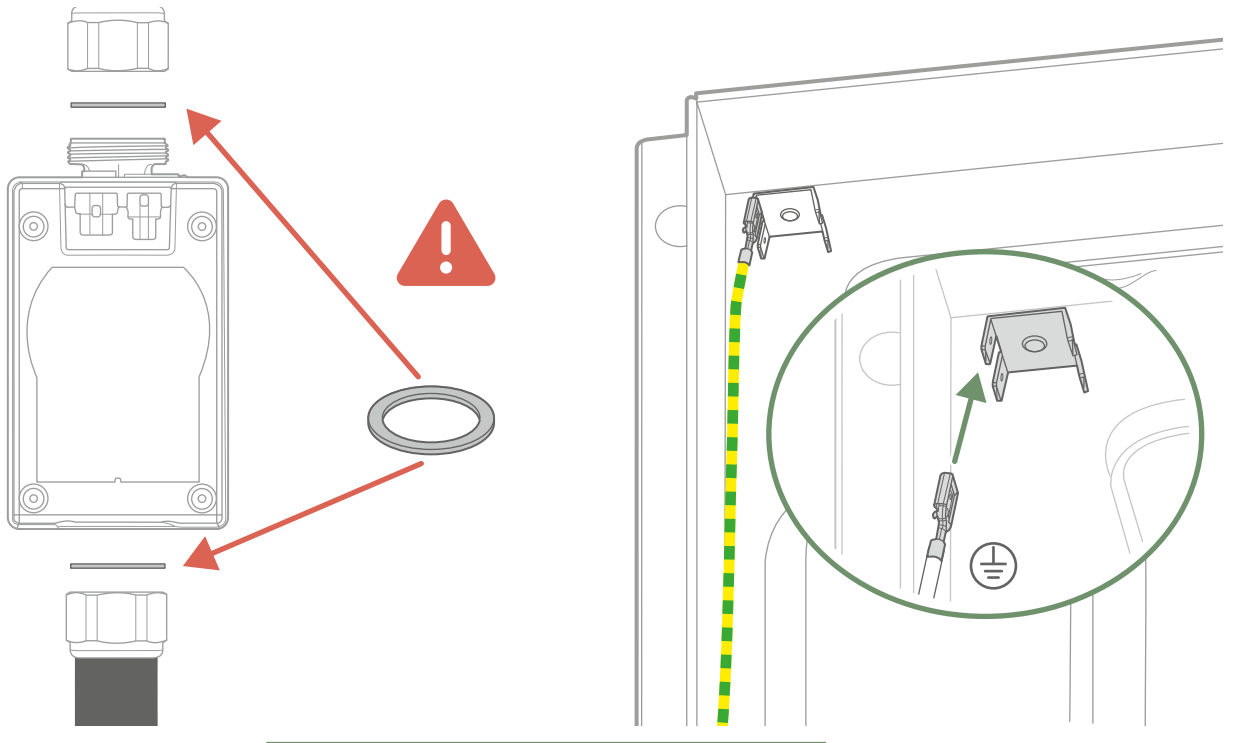


ML

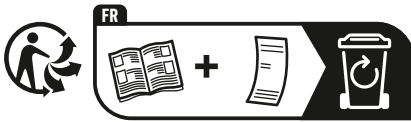
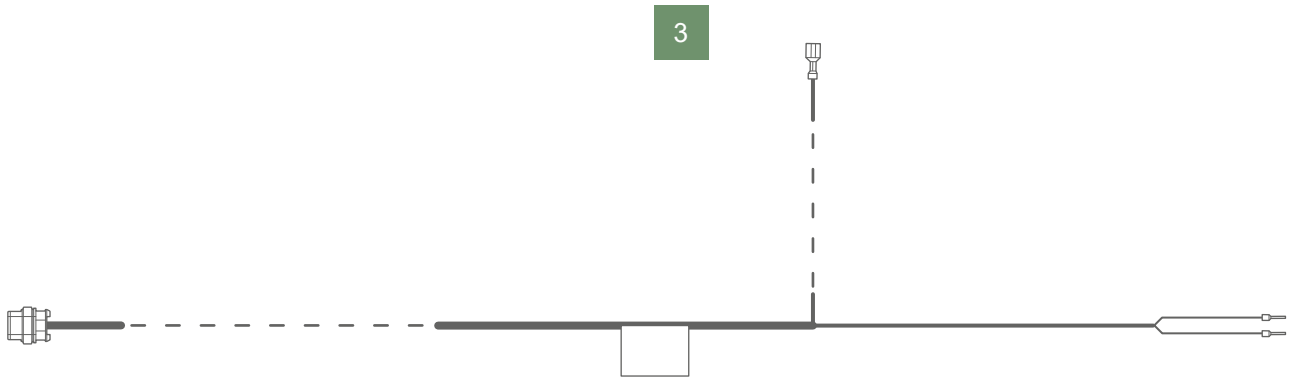
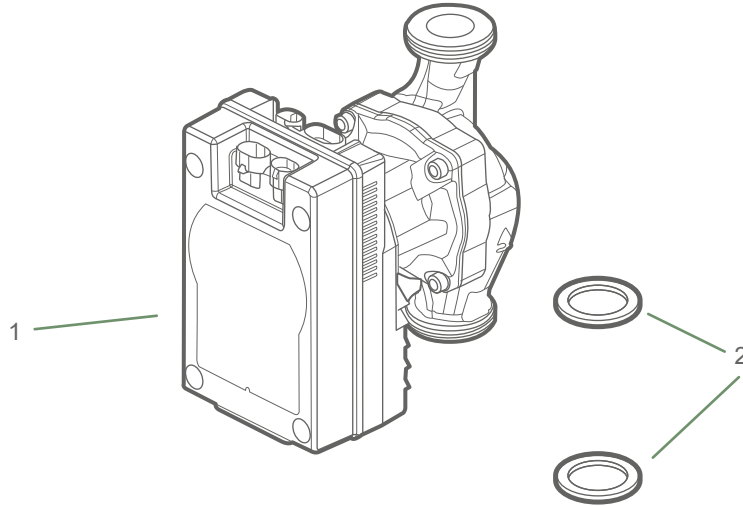
INSTALLATION // INSTALLATIE // INSTALACIÓN // INSTALAÇÃO
INSTALLAZIONE // MONTAŽ // INŠTALACIJA

Kit Gros Débit / High flow kit (074994)





Nr	Code	Qty
1	909908	01
2	142734	02
3	133357	01



Points de collecte sur www.quefairedemesdechets.fr

RC Dunkerque - Siren 440 555 886 - Equipment subject to change without notice - Document is non contractual

Commissioning date:

Address of your heating installer or customer service.

Société Industrielle de Chauffage
SATC - BP 64 - 59660 MERVILLE - FRANCE